

Dartron

Issuing Entity:
Dartron Industries, Inc

P. O. Box 13114
Salem, Oregon 97309
Phone: 503-362-2341
Fax: 503-362-2536

www.dartronrides.com

Bulletin # SR-5K-004

Release Date: January 27, 2004

Effective Date: February 1, 2004

Supersedes: N/A

Completion Date: April 1, 2004

Page 1 of 2

SAFETY BULLETIN

<u>Ride Manufacturer:</u> Dartron Industries, Inc.	<u>Affected Production Dates:</u> All Cliff Hanger Rides
<u>Ride Name:</u> Cliff Hanger	<u>Affected Serial #'s:</u> All
<u>Model #'s:</u> All	

Abstract of Issue: Dartron is aware that some Cliff Hanger operators have experienced bent car Hanger Stems. Bent stems can result from lowering the car transport rack without removing pins that attach the Car Stabilizer Cross Tube to the car transport rack. See Page 2 of this Bulletin. Using the damaged stems can result in a failure of the stem and possibly injury to guests.

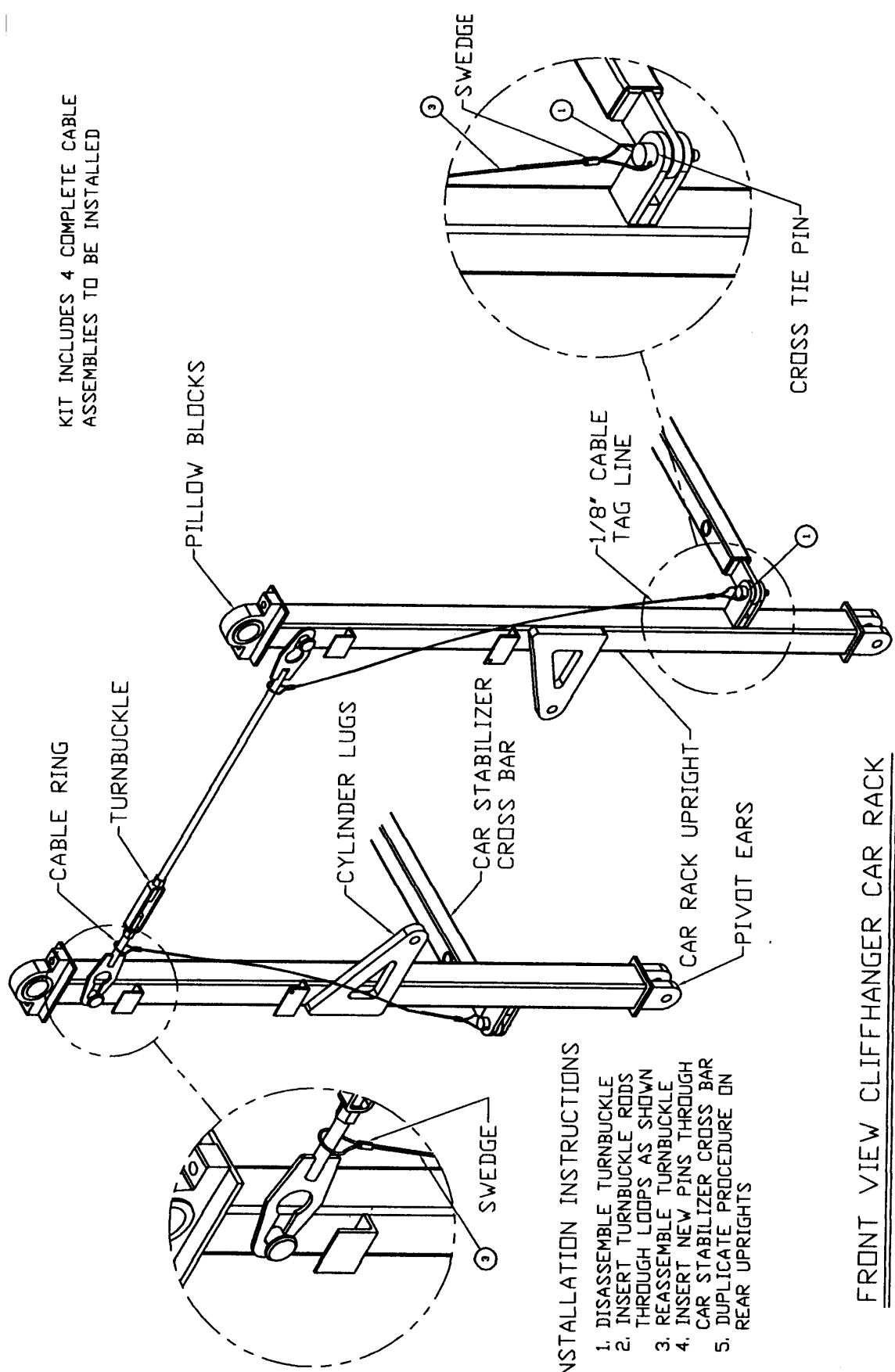
A damaged Car Hanger stem must be replaced if two people manually lifting the car cannot insert it into the receiver tube on the lower hanger block. Forcing the stem into and out of the receiver tube by the use of extreme force can damage the stem joints and in expensive repairs and possibly an injury.

Reason for release: The chain of events that can result in a failure of the Car Hanger Stem starts with the failure to remove pins from the Car Stabilizer Cross Bar before lowering the car rack. This Bulletin requires the use of different Car Stabilizer Cross Bar pins that are difficult not to remove before lowering the Car Rack.

The Bulletin also prohibits the use of damaged Car Hanger Stems that must be forced into and out of the Hanger Blocks

Action to be taken:

7. Four new Car Stabilizer Bar pins with cables attached must be purchased from Dartron.
8. The cables must be attached to the car rack turnbuckles as shown on Page 2 of this Bulletin.
9. After April 1, 2004 the Cliff Hanger car racks must not be operated unless the Car Stabilizer Cross Bar pins are attached to the turnbuckles as shown on Page 2.
10. Damaged Car Hanger Stems must not be used if two individuals manually lifting the car cannot insert them into the Lower Hanger Block.
11. Until the new pins/cables are installed inspection should be especially vigilant against the use of stems that do not fit correctly into the receiver tubes.



KIT INCLUDES 4 COMPLETE CABLE ASSEMBLIES TO BE INSTALLED

- INSTALLATION INSTRUCTIONS**
1. DISASSEMBLE TURNBUCKLE
 2. INSERT TURNBUCKLE RODS THROUGH LOOPS AS SHOWN
 3. REASSEMBLE TURNBUCKLE
 4. INSERT NEW PINS THROUGH CAR STABILIZER CROSS BAR
 5. DUPLICATE PROCEDURE ON REAR UPRIGHTS

FRONT VIEW CLIFFHANGER CAR RACK

REAR UPRIGHTS NOT SHOWN